

Stacking 2/2 Directional Valve, ISO size 5 Solenoid Controlled, Seated Pilot, Seated Spool Main Stage Series SWS22..NDA ...-10

- 315 bar, 140 l/min
- With two-stage, solenoid controlled 2/2 cartridge valve, type WS22 ...-10
- 'No flow' pilot stage
- Bidirectional seat valve closure
- All ports rated to 315 bar
- Secondary pressure gauge connection M (G 1/4")
- Corrosion protection: stacking body is zinc-phosphated

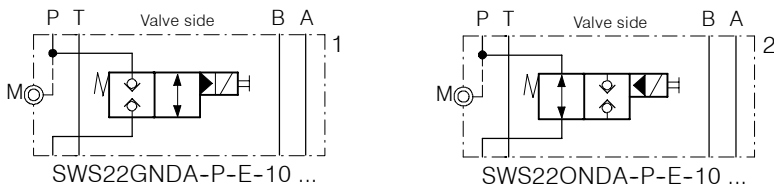
- With ISO 4401 / CETOP R35H size 5, NFPA D05, DIN 24 340 A10 interface

noid cartridge valve type WS22G...-10 or WS22O...-10. The valve design features screw-in cartridges, thus ensuring straightforward, very user-friendly maintenance. Sealing at the manifold-side ('bottom') interface is by means of O-rings that are fitted in counterbores in the stacking body.

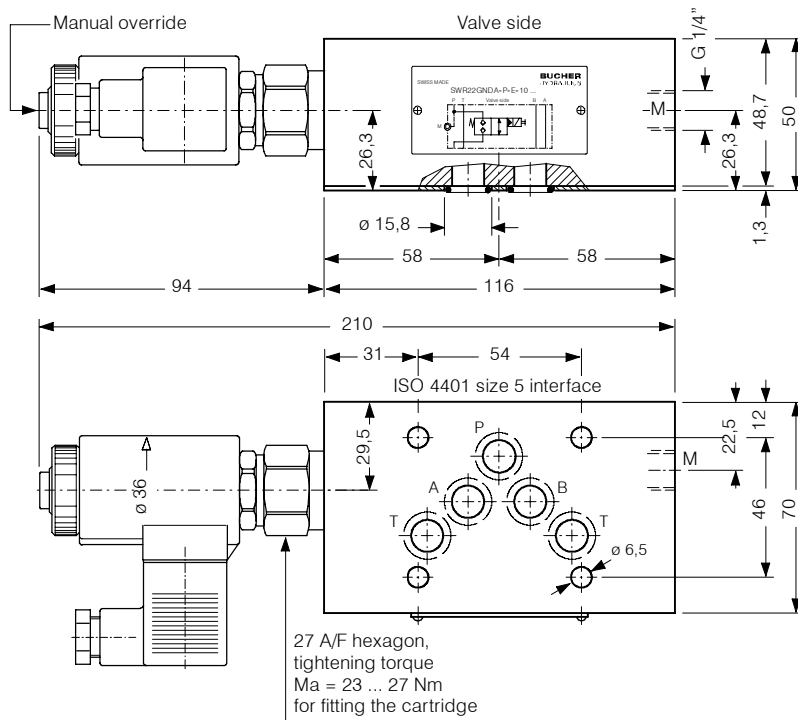
1. Description

Series SWS22 ...-10 stack valves are two-stage units, the pilot and main stages both being of seated design. They are equipped with the 2/2 solenoid

2. Symbols

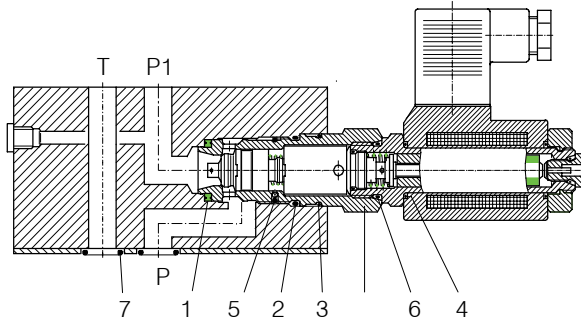


3. Dimensions



4. Schematic section

showing the relevant ports
Ex. SWS22GNDA-P-E-10 ...



Seal kit no. DS-316, comprising:

ltn.	Qty.	Description	Size
1	1	Seal ring	∅ 22,1 / 16,5 x 2,5
2	1	O-ring	∅ 21,00 x 2,00 N75
3	1	O-ring no. 020	∅ 21,95 x 1,78 N90
4	2	O-ring	∅ 16,00 x 2,00 Viton
5	1	Retaining O-ring	∅ 18,00 x 1,00 N90
6	1	O-ring no. 017	∅ 17,17 x 1,78 N90
7	5	O-ring no. 014	∅ 12,43 x 1,78 N90

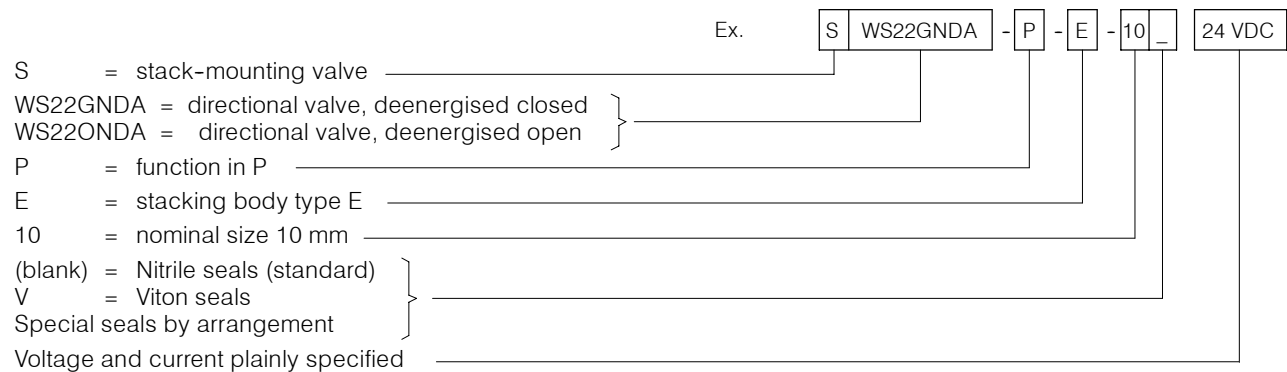
5. Installation and servicing

All installation and servicing must be carried out with care, and by qualified personnel only. At installation, make sure that the valve interface aligns with the interface of the mating surface and

do not confuse the directional valve ('top') and manifold ('bottom') faces of the valve. When changing seals, the new seals should be thoroughly oiled or

greased before they are fitted. When fitting the cartridge, ensure that the seals are oiled or greased and use the specified tightening torque.

6. Ordering code



7. Related data sheets

Old no.	New no.	
i - 00	400-P-010101-E	Table of interface equivalents
i - 41	400-P-050101-E	DIN 24 340 size A10 interface
W - 6.150	400-P-131100-E	2/2 Solenoid Cartridge Valve WS22 ...-10
G - 45	400-P-810901-E	Seal Plate DB-10