

# Optional Accessories

Emergency manual override  
Series HNA-1-SH...

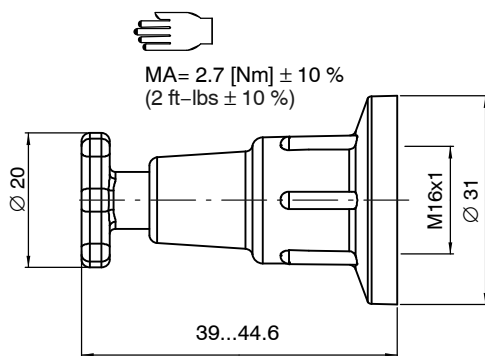


- plastic housing (Crastin)
- spindle, combination of plastic (Crastin) and rust-free steel

## 1 Description

The manual override of the type series HNA-1-SH... is a screwable operation, which can be used with our standard valve cartridges if required.

## 2 Dimensions & sectional view



## 3 Installation information



Attention:

During normal operation, it is imperative that the operating-grub screw is unscrewed up to the stop to achieve the maximum performance data or to avoid damages.

## 4 Ordering code

Ex. 

HN	A	-	1	-	SH	-	M16x1	-	12.6	-	5.2
----	---	---	---	---	----	---	-------	---	------	---	-----

- HN = manual override
- A...Z = design status
- 1...9 = technical status
- SH = screwable, by hand / handknob (others on request)
- M16x1 = thread/gradient
- 12.6 = distance solenoid coil to grub screw
- 5.2 = diameter of operating-grub screw

info.ch@bucherhydraulics.com

www.bucherhydraulics.com

© 2020 by Bucher Hydraulics AG Frutigen, CH-3714 Frutigen

All rights reserved.

Data is provided for the purpose of product description only, and must not be construed as warranted characteristics in the legal sense. The information does not relieve users from the duty of conducting their own evaluations and tests. Because the products are subject to continual improvement, we reserve the right to amend the product specifications contained in this catalogue.

Classification: 430.Info. ...

Reference: 400-P-090101-EN-00