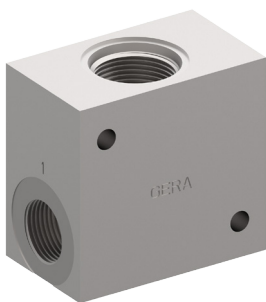


# Valve accessory

## Threaded port body

---

Type series: GERA

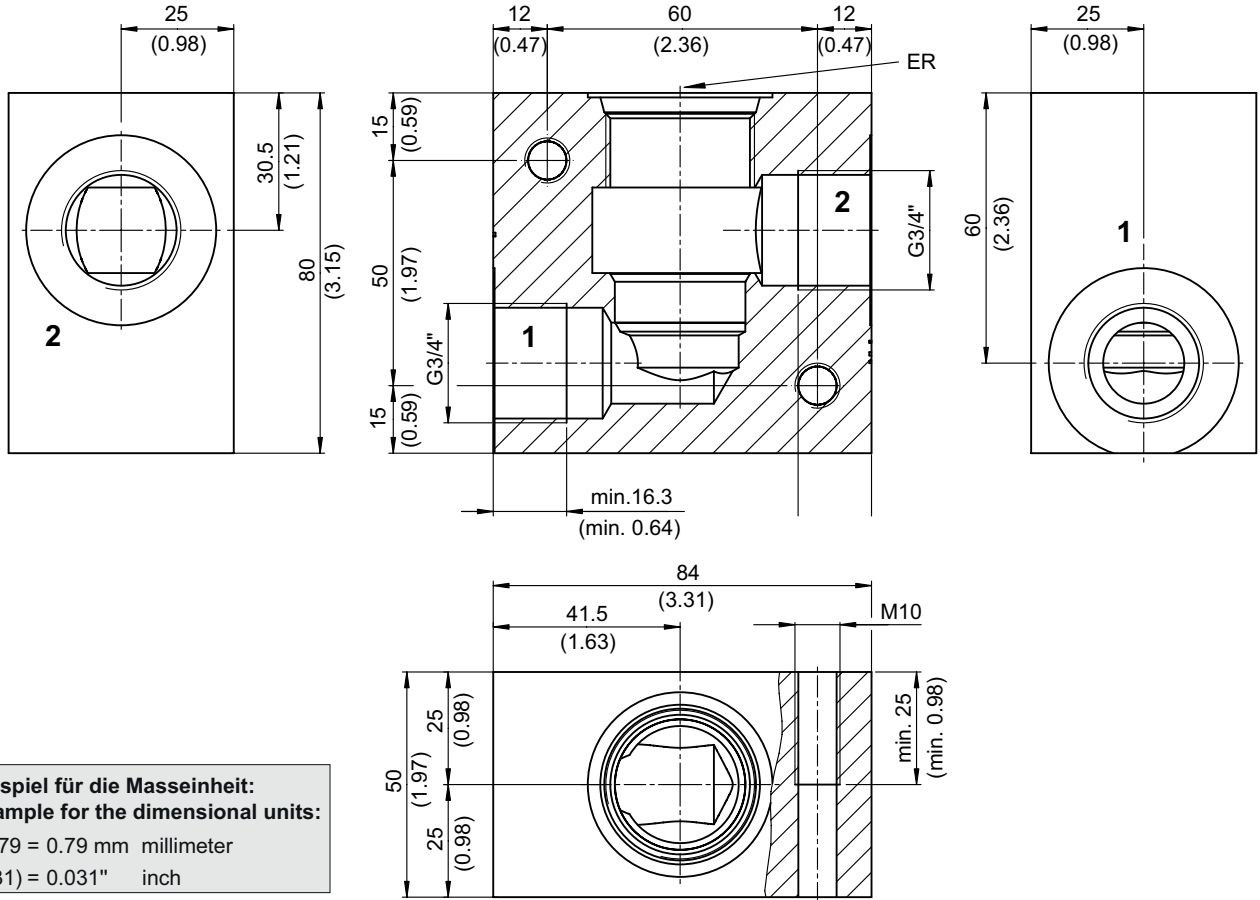


- For cavity ER
- All external parts with zinc-nickel coating according to DIN EN ISO 19598
- Functionless threaded port body
- Port sizes of the main connections G 3/4"
- Optimized  $\Delta p$  values
- Suitable for piping assembly
- Can be fixed with 2× cap screws

### Technical data

General Characteristics	Description, value, unit
Function group	Valve accessory
Function	Threaded port body
Maximum operating pressure	420 bar
Weight	2 kg
Cavity acc. factory standard	For cavity ER
Surface protection	All external parts with zinc-nickel coating according to DIN EN ISO 19598

Dimensions and sectional view



**Beispiel für die Masseinheit:**  
**Example for the dimensional units:**  
0.79 = 0.79 mm millimeter  
(.031) = 0.031" inch