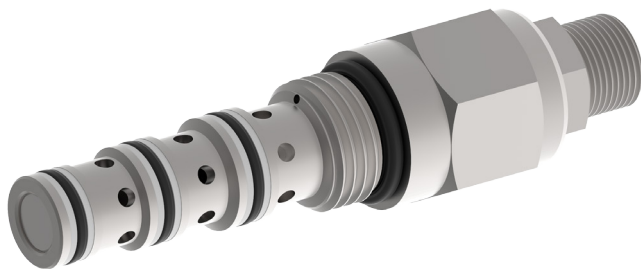


Directional valve 3-way/2-position

$Q_{max} = 12 \text{ gpm}$, $p_{max} = 5000 \text{ psi}$
direct acting, spool type, hydraulic operation
Type series: DCPS-10-_-A-...



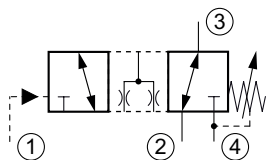
- Screw-in cartridge valve
- For cavity C1040
- All external parts zinc plated, chromited (CrVI-free)
- Installation in threaded port body type B1040
- Hardened precision fitted spool and sleeve provides reliable, long life
- Open center transition
- This valve has a fixed or an adjustable bias spring
- A unibody cage construction provides very low hysteresis, dependable and reliable operation
- Adjustment screw can not be backed out of the valve

Description

This unit is a direct acting, screw-in cartridge style, spool type, hydraulic 3-way directional control element, requiring remote pilot actuation. This valve allows flow from port 3 to port 2 with a spring biased spool. Port 4 is blocked. The spool will shift when

piloted at port 1 with sufficient pressure to overcome the spring bias and allow flow from port 3 to port 4. Spring is vented to port 4. This valve shifts in an open center position.

Symbol



Technical data

General Characteristics	Description, value, unit
Function group	Directional valve
Function	3-way/2-position
Design	Screw-in cartridge valve
Controls	hydraulic operation
Characteristic	direct acting, spool type
Transition/central position of spool/piston	zero overlap or underlap (open)
Construction size	SAE 10 / nominal size 8
Thread size	7/8-14 UNF-2A
Mounting attitude	unrestricted
Weight	0.46 lb
Cavity acc. factory standard	For cavity C1040
Tightening torque steel	57.5 ft·lb
Tightening torque aluminium	37.5 ft·lb
Tightening torque tolerance	± 5 %
Minimum ambient temperature	- 40 °F
Maximum ambient temperature	+ 248 °F
Surface protection	All external parts zinc plated, chromited (CrVI-free)
Available seal types	several seal types available, see ordering code
Seal kit order number	NBR: SKN-1042 / FKM: SKV-1042

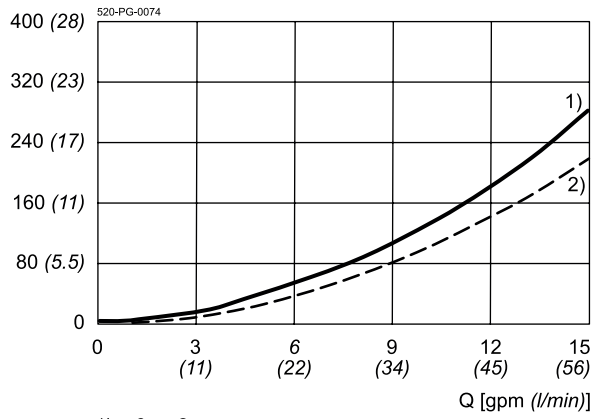
Hydraulic Characteristics	Description, value, unit
Maximum operating pressure	5000 psi
Maximum flow rate	12 gpm
Flow direction	see symbol
Hydraulic fluid	All general purpose hydraulic fluids such as MIL-H-5606, SAE-#10, SAE-#20, etc.
Minimum fluid temperature	- 13 °F
Maximum fluid temperature	+ 176 °F
Viscosity range	10 ... 500 mm ² /s (cSt)
Recommended viscosity range	20 ... 130 mm ² /s (cSt)
Minimum fluid cleanliness (cleanliness class according to ISO 4406:1999)	class 18/16/13
Minimum set pressure	75 psi
Maximum set pressure	200 psi
Internal leakage flow rate	5 cu.in/min at 5000 psi
Pilot operating media	hydraulic fluid

Performance graphs

measured with oil viscosity 28.5 mm²/s (cSt)

$\Delta p = f(Q)$ Pressure drop-flow rate characteristic

Δp [psi (bar)]

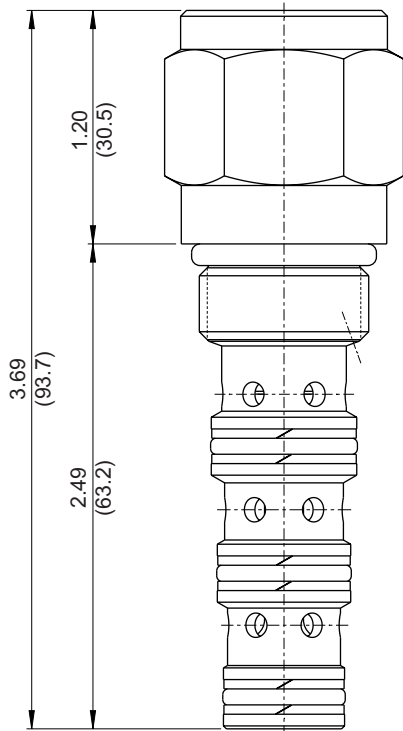


1) = 3 → 2
2) = 3 → 4

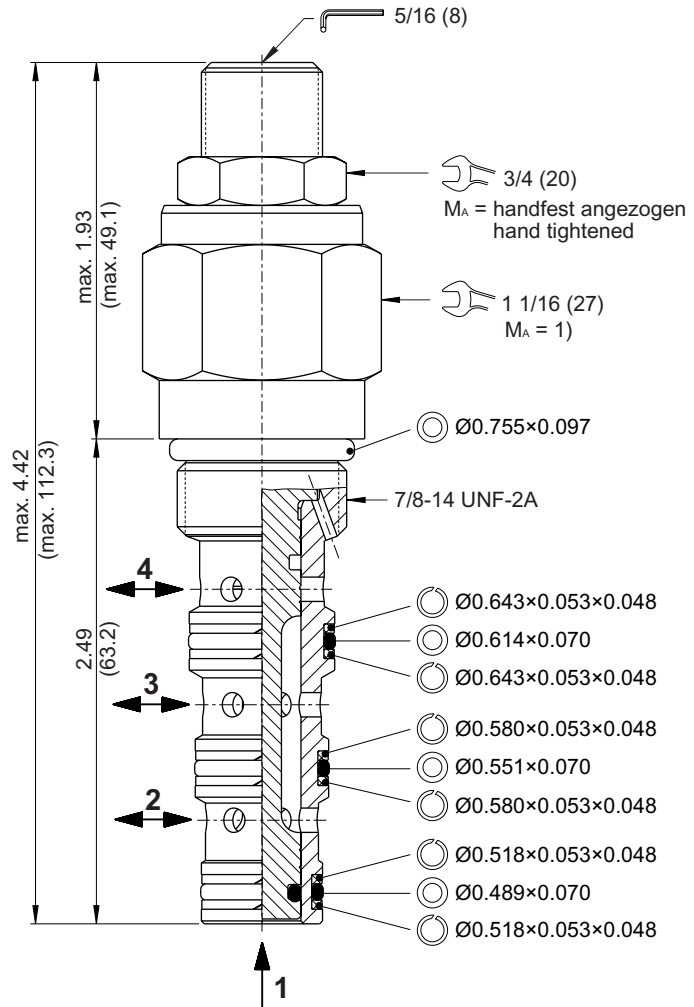
Dimensions and sectional view

Beispiel für die Masseinheit:
Example for the dimensional units:
.031 = 0.031" inch
(0.79) = 0.79 mm millimeter

Version "F": Fix eingestellt (*Werksteinstellung*)
Version "F": fixed (*factory set*)



Version "S": Einstellschraube (*Standard*)
Version "S": adjustment screw (*standard*)



Installation information



ATTENTION!

Only qualified personnel with mechanical skills may carry out any maintenance work. Generally, the only work that should ever be undertaken is to check, and possibly replace, the seals. When changing seals, oil or grease the new seals thoroughly before fitting them.



NOTE!

1) When fitting the screw-in cartridge valve, use the specified tightening torque. The value can be found in the chapter "Technical data".



NOTE!

The seals are not available individually. The seal kit order number can be found in the chapter "Technical data".

Ordering code

e.g. DCPS - 10 - N - A - F - 0 - 075

- DCPS = directional control valve, direct acting, cartridge design
- 10 = nominal size SAE 10 / NG 08
- N = NBR (nitril-butadien-rubber / BUNA) seals (*standard*)
- V = FKM (fluorocarbon rubber / VITON) seals
(*special seals - please consult BUCHER*)
- A = spool type "A"
- F = fixed (factory set)
- S = adjusting screw
- C = capped
- T = tamperproof
- K = handknob
- M = metal handknob
- 0 = screw-in cartridge only
- 06TA = line-mounting body aluminum SAE #06 ports
- 06TS = line-mounting body steel SAE #06 ports
- 08TA = line-mounting body aluminum SAE #08 ports
- 08TS = line-mounting body steel SAE #08 ports
- 075 = pressure setting bias spring 75 psi (fixed)
- 100 = pressure setting bias spring 100 psi (fixed)
- 200 = pressure range setting 75...200 psi (adjustable)

Related data sheets

Reference	Description
520-P-000050	Form tools
520-P-000420	Cavity C1040
520-P-000421	Threaded port body B1040
520-P-000500	Adjustment Control Options