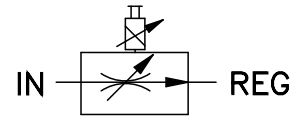
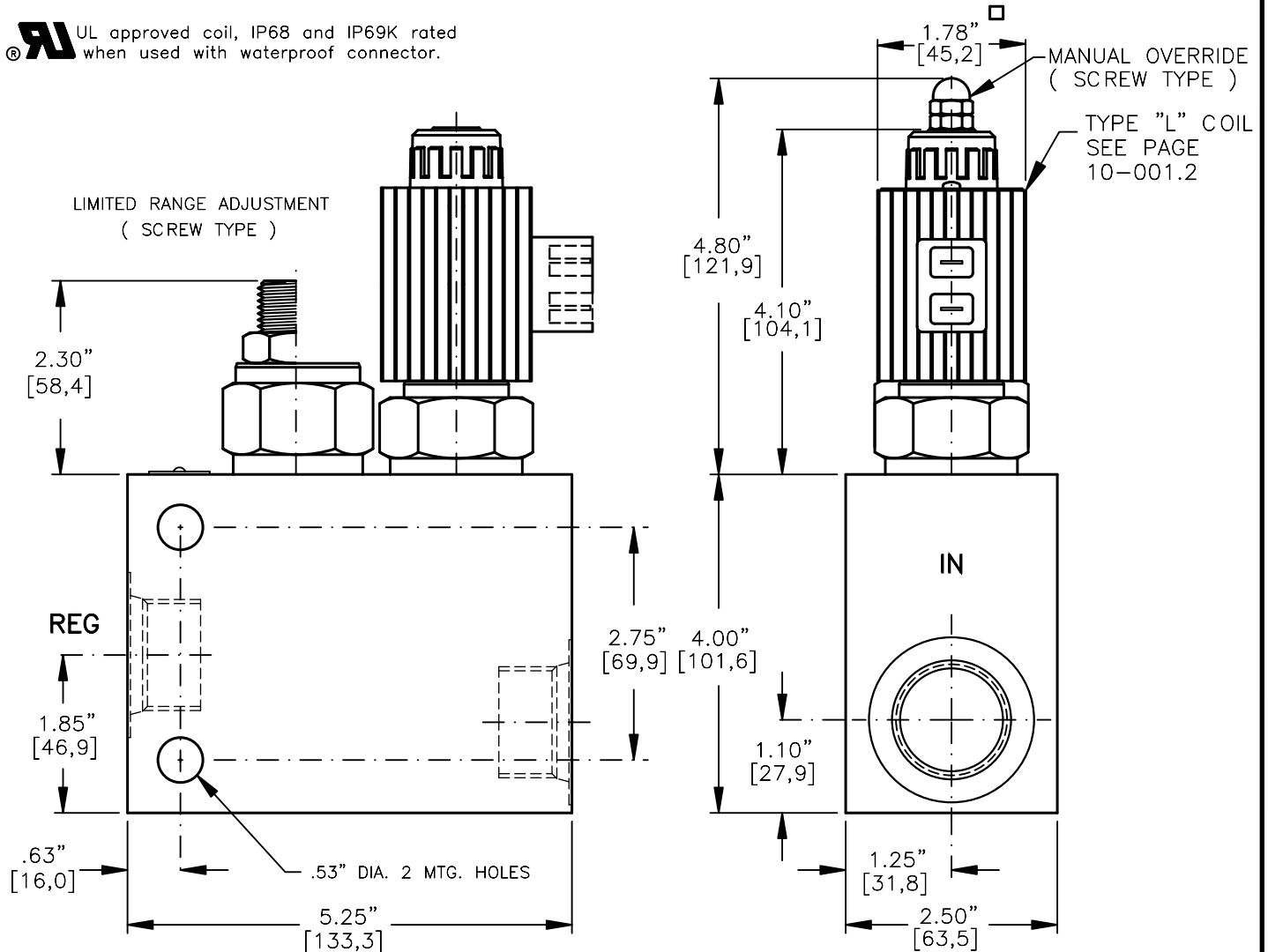


PRESSURE COMPENSATED, NORMALLY CLOSED OR NORMALLY OPEN PROPORTIONAL, IN-LINE FLOW CONTROL VALVE.



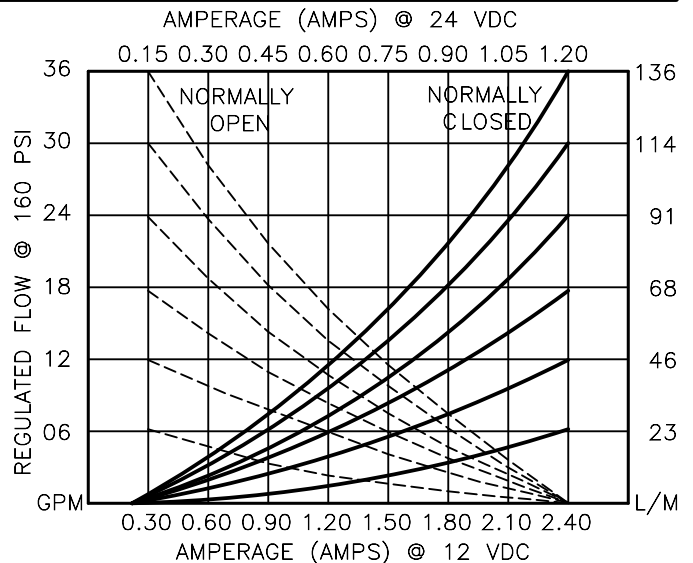
UL approved coil, IP68 and IP69K rated when used with waterproof connector.



NOTES:
1) SOLENOIDS AVAILABLE WITH DIODES - CONSULT FACTORY.

PIFC-16-X-X-XX-X-X-X-XXX-XXX X

- BASIC
- SIZE
16=1.312"-12UNF
- SEALS
N = BUNA "N"
V = VITON
- STYLE
C = NORMALLY CLOSED
O = NORMALLY OPEN
- REGULATED FLOW
06 = 0 TO 6.0 GPM
12 = 0 TO 12.0 GPM
18 = 0 TO 18.0 GPM
24 = 0 TO 24.0 GPM
30 = 0 TO 30.0 GPM
36 = 0 TO 36.0 GPM 2)
- NOTES:
2) AVAILABLE ONLY IN STYLE C (NORMALLY CLOSED)
- TERMINALS
L = 18GA. 24" LEADS
T = SPADE TERM.
B = BOLT TERM.
G = DIN43650
W = WEATHER-PACK
D = DEUTSCH-DT04-2P
M = METRI-PACK CONN.
- VOLTAGE AMPS
12D = 12 VDC 3.00
24D = 24 VDC 1.50
- ADJUSTMENT OPTIONS
O-F-100 = NONE
M-F-100 = MANUAL OVERRIDE
O-S-180 = LIMITED RANGE ADJ.
M-S-180 = BOTH MO/LTD ADJ.
- PORTS
16TX = SAE - #16
"A" = ALUM. HOUSING
"S" = STEEL HOUSING



PRESSURE COMPENSATED, PROPORTIONAL, IN-LINE, FLOW CONTROL VALVE.

DESCRIPTION

This valve is an electro-hydraulic, proportional, in-line (Restrictive) type, pressure compensated, hydraulic flow control. Regulated flow Normally Closed 0 to 36.0 GPM, [0 to 137,0 L/M] max. Normally Open 36.0 to 0 GPM [137,0 to 0 L/M] is proportional to the current input, regardless of load or system pressure.

OPERATIONS

This unit is a direct acting (NO PILOT FLOW), electro-hydraulic, proportional, pressure compensated, flow control valve. When the coil is energized the armature moves the metering orifice open or close against a precision bias spring varying the flow. A pressure compensator spool (HYDROSTAT) modulates the flow at 160 PSI/11,0 Bar delta "P" providing the valve with a constant regulated flow regardless of load or system pressure. When current is increased or decreased to the coil; the flow will increase or decrease proportionally.

IN THE EVENT OF POWER FAILURE THE VALVE WILL CLOSE OR OPEN RESPECTIVELY.

FEATURES AND BENEFITS

Continuous-duty, very low heat rise & waterproof solenoid coil.
Interchangeable solenoid coils & terminations options available.
Hardened precision fitted spool & sleeve provides reliable, long life.
Very efficient wet – armature solenoid core tube construction.
All external carbon steel parts are plated for longer life against the elements.
All valves are 100% functionally tested.

PRESSURE COMPENSATED, PROPORTIONAL, IN-LINE, FLOW CONTROL VALVE.

SPECIFICATIONS

OPERATING PRESSURE: 5,000 PSI [350 Bar]

PROOF PRESSURE: 10,000 PSI [700 Bar]

REGULATED FLOW: 36.0 GPM [136,0 L/M] Max. See performance chart.

INTERNAL LEAKAGE: 40 cu.in/min [660 cc/m] @ 5,000 PSI [350 Bar]

VALVE HOUSINGS: 2500 PSI [175 Bar] = Aluminum - Anodized.

5000 PSI [350 Bar] = Steel - Unplated.

OPERATING TEMPERATURE: -40° to +250° F. [-40° to +120° C.]

OPERATING MEDIA: All general purpose hydraulic fluids such as

MIL-H-5606, SAE-#10, SAE-#20, etc.

RESPONSE: The most efficient method to control this valve is with current control and a 50 Hz dither.

POWER REQUIREMENTS: 12 VDC, Operating current 0.4 to 2.4 AMPS.

24 VDC, Operating current 0.2 to 1.2 AMPS.

SEAL KIT: Buna "N": SKN-1622, SKN-1632

VITON: SKV-1622, SKV-1632

INSTALLATION: No restrictions.

WEIGHT: 7.42 lbs [3,37 kg]. aluminum body.

21.70 lbs [9,86 kg]. steel body.