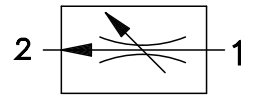
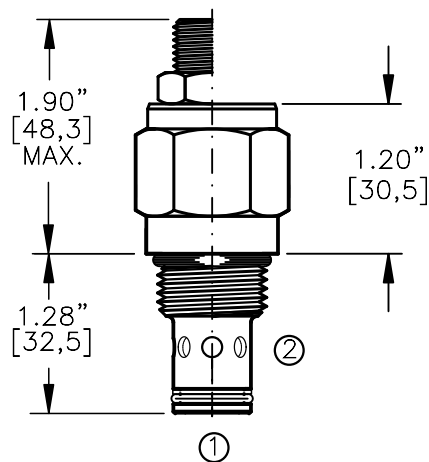
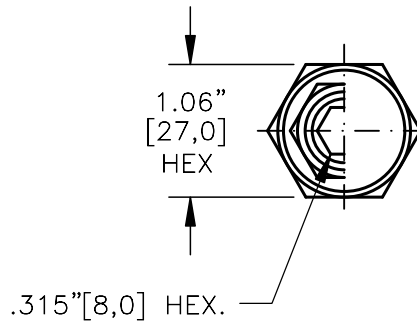
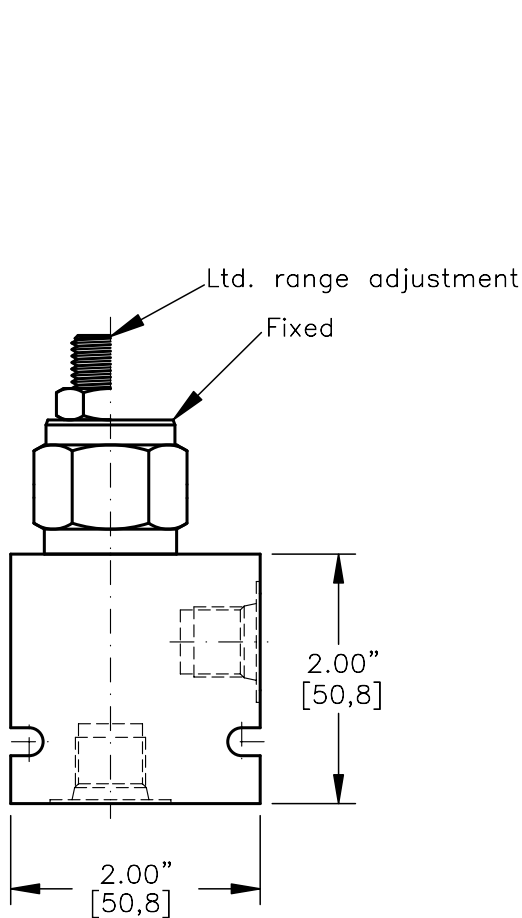


FLOW CONTROL VALVE PRESSURE COMPENSATED,
FIXED ORIFICE, RESTRICTIVE TYPE.



TORQUE:

Steel = 55/60 Ft-Lb. [74/81 Nm]
Aluminum = 35/40 Ft-Lb. [47/54 Nm]



FOR ALUMINUM OR STEEL VALVE HOUSING CONFIGURATIONS SEE PAGE 0-012.1

PCFC-10-X-X-X-XX

BASIC

SIZE

10 = 7/8"-14 UNF

SEALS

N = BUNA "N"

V = VITON

ADJUSTMENT

F = FIXED (FACTORY SET)

S = ADJUSTING SCREW

C = CAPPED

T = TAMPERPROOF

K = HANDKNOB

M = METAL HANDKNOB

REGULATED FLOW

TO BE SPECIFIED

EXAMPLE

1.5=1.5 GPM (5,7l/m)

PORTS

0 = CARTRIDGE ONLY

02BX = G 1/4" BSPP

03BX = G 3/8" BSPP

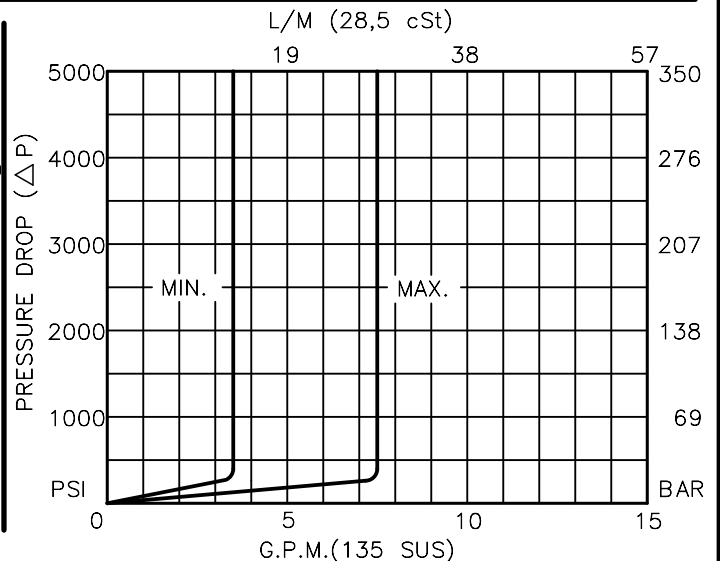
06TX = SAE - #6

08TX = SAE - #8

"A" - ALUM. HOUSING

"S" - STEEL HOUSING

FOR ADJUSTMENT CONTROL
OPTIONS SEE PAGE 0-050.0



**FLOW CONTROL VALVE PRESSURE COMPENSATED,
FIXED ORIFICE, RESTRICTIVE TYPE.****DESCRIPTION – FIXED**

This unit is a SCREW IN, cartridge type, pressure compensated, fixed orifice, restrictive hydraulic flow control valve.

FLOW RANGE: 0.2 TO 8.0 GPM [0,8 TO 30,0 L

DESCRIPTION – ADJUSTABLE

This unit is a SCREW IN, cartridge type, pressure compensated, fixed orifice, 30% flow adjustment, restrictive hydraulic flow control valve.

FLOW RANGE: 0.2 TO 12.0 GPM [0,8 TO 45,0 L

Flow adjustment under pressure is difficult.

OPERATIONS

Valve maintains constant flow from port 1 to 2 regardless of system pressure or load and non-compensated flow from port 2 to 1 and goes thru the control orifice.

FEATURES AND BENEFITS

Valve is available with a screw, tamperproof, capped or knob adjustment. All external carbon steel parts are plated for longer life against the elements. All cartridge valves are 100% functionally tested. Industry common cavity.

SPECIFICATIONS

OPERATING PRESSURE: 5,000 PSI (350 Bar)

PROOF PRESSURE: 10,000 PSI (700 Bar)

FLOW: 0.2 to 12.0 GPM [0,8 to 45,0 l/m] nominal. See performance chart.

FLOW ACCURACY:

0.2 to 1.5 GPM [0,9 to 6,0 L??– 10.0%

1.5 to 4.0 GPM [6,0 to 15,0 L??– 7.5%

4.0 to 12.0 GPM [15,0 to 45,0 L??– 5.0%

VALVE HOUSINGS: 2500 PSI [175 Bar] = Aluminum – Anodized.

5000 PSI [350 Bar] = Steel – Unplated.

OPERATING TEMPERATURE: -40° to +250° F. [-40° to +120° C.]

OPERATING MEDIA: All general purpose hydraulic fluids such as MIL-H-5606, SAE-#10, SAE-#20, etc.

INSTALLATION: No restrictions.

SEAL KIT: SKN-1021 Buna "N".

SKV-1021 Viton.

WEIGHT: .38 lb [.17 kg] cartridge only.

VALVE CAVITY: #C1020, See Page 0-012.0.

info.el@bucherhydraulics.com

www.bucherhydraulics.com/commoncavity

© 2015 by Bucher Hydraulics, Inc., 2545 Northwest Parkway, Elgin, Illinois 60124, USA

All rights reserved.

Data is provided for the purpose of product description only, and must not be construed as warranted characteristics in the legal sense. The information does not relieve users from the duty of conducting their own evaluations and tests. Because the products are subject to continual improvement, we reserve the right to amend the product specifications contained in this catalogue.