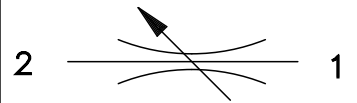
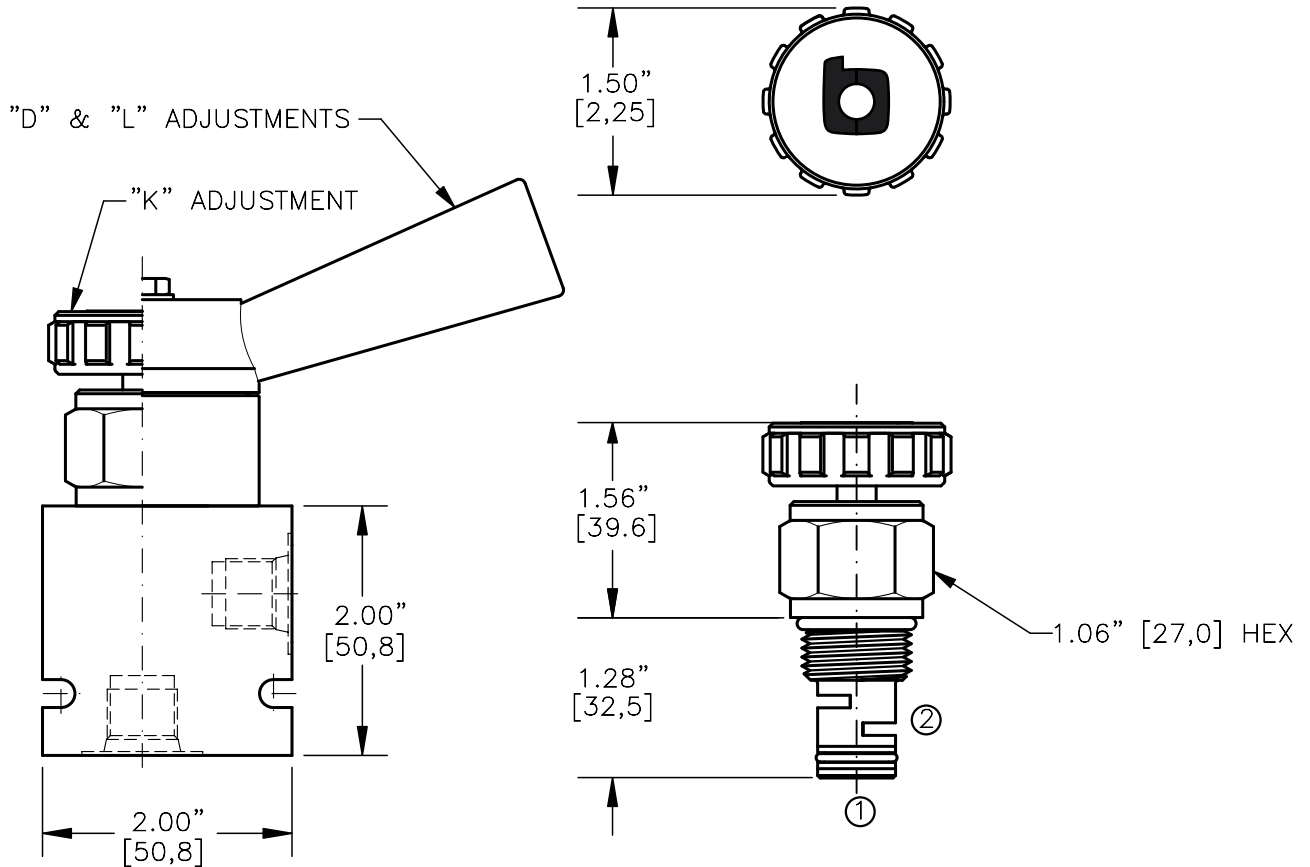


MANUAL ROTARY FLOW CONTROL VALVE



TORQUE:

Steel = 55/60 Ft-Lb. [74/81 Nm]
Aluminum = 35/40 Ft-Lb. [47/54 Nm]

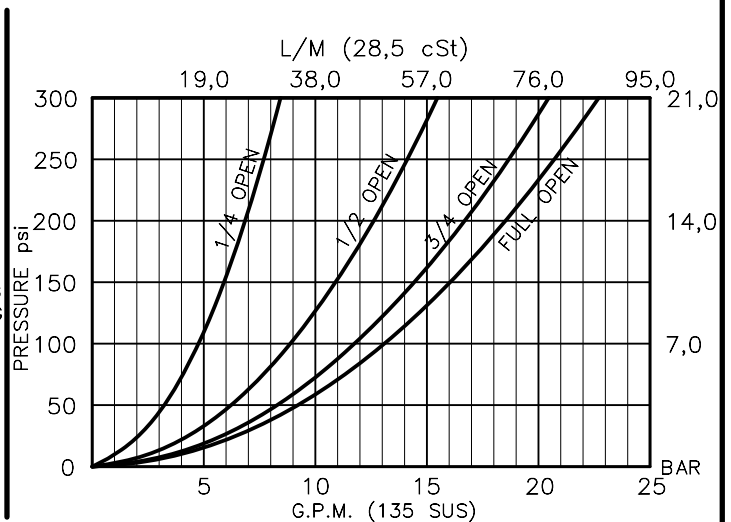


FOR ALUMINUM OR STEEL VALVE HOUSING CONFIGURATIONS SEE PAGE 0-012.1

MRFC-10-X-X-X

- BASIC
- SIZE
10 = 7/8"-14UNF
- SEALS
N = BUNA "N" = VITON
V
- ADJUSTMENT
K = HANDKNOB
H = METAL HANDKNOB
O = NO KNOB
G = GRADUATED METAL KNOB
D = LEVER WITH DETENTS
L = LEVER WITH FRICTION LOCK
- PORTS
0 = CARTRIDGE ONLY
02BX = G 1/4" BSPP
03BX = G 3/8" BSPP
06TX = SAE - #6
08TX = SAE - #8
L "A" = ALUM. HOUSING
"S" = STEEL HOUSING

FOR ADJUSTMENT CONTROL
OPTIONS SEE PAGE 0-050.1



MANUAL ROTARY FLOW CONTROL VALVE

DESCRIPTION

This unit is a SCREW IN, cartridge type, non-compensated, adjustable, bi-directional rotary flow control valve.

OPERATIONS

This valve increases its orifice value from fully closed to fully open in 1/2 turn with counterclockwise rotation.

FEATURES AND BENEFITS

Fine and low effort leakproof adjustment; knob is optional.
All external carbon steel parts are plated for longer life against the elements.
All cartridge valves are 100% functionally tested.
Industry common cavity.

SPECIFICATIONS

OPERATING PRESSURE: 5,000 PSI [350 Bar]
PROOF PRESSURE: 10,000 PSI [700 Bar]
FLOW: 18.0 GPM [68 l/m] nominal. See performance chart.
SHAFT ROTATION IS 160° FROM FULL OPEN TO CLOSED
INTERNAL LEAKAGE: 5 cu.in./min. [82 cc/m] @ 5,000 PSI (350 Bar)
VALVE HOUSINGS: 2500 PSI [175 Bar] = Aluminum - Anodized.
5000 PSI [350 Bar] = Steel - Unplated.
OPERATING TEMPERATURE: -40° to +250° F. [-40° to +120° C.]
OPERATING MEDIA: All general purpose hydraulic fluids such as
MIL-H-5606, SAE-#10, SAE-#20, etc.
INSTALLATION: No restrictions.
SEAL KIT: SKN-1022 Buna "N".
SKV-1022 Viton.
WEIGHT: .31 lb [.14 kg] cartridge only.
VALVE CAVITY: #C1020, See Page 0-012.0.

info.el@bucherhydraulics.com

www.bucherhydraulics.com/commoncavity

© 2015 by Bucher Hydraulics, Inc., 2545 Northwest Parkway, Elgin, Illinois 60124, USA

All rights reserved.

Data is provided for the purpose of product description only, and must not be construed as warranted characteristics in the legal sense. The information does not relieve users from the duty of conducting their own evaluations and tests. Because the products are subject to continual improvement, we reserve the right to amend the product specifications contained in this catalogue.