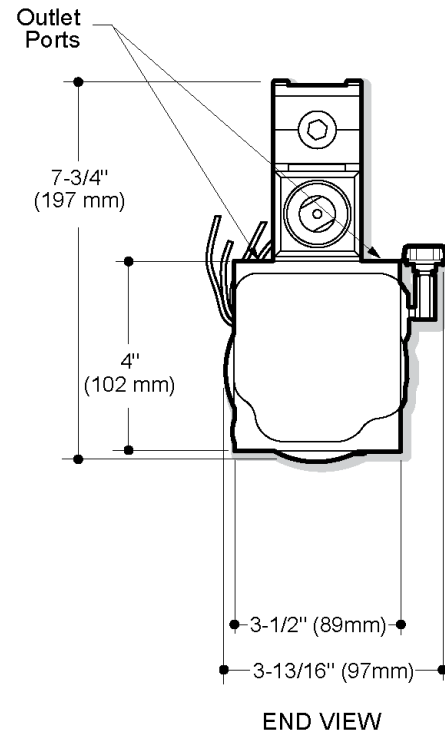
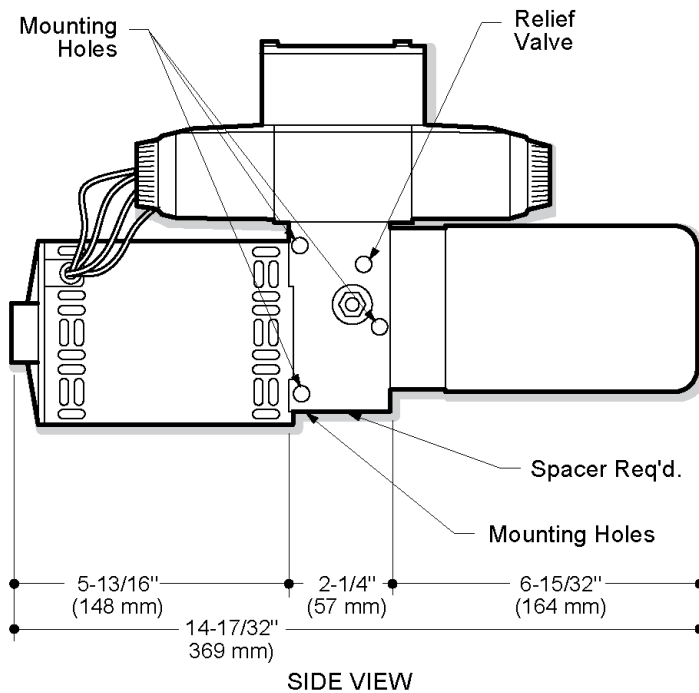
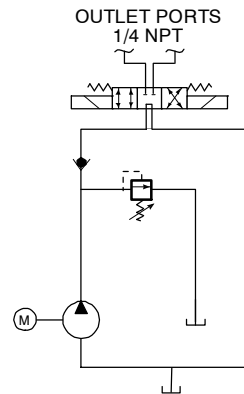


## 3.18 Model M-4253 (Formerly M-453)

### Description

- Pump / Motor / Reservoir / Unit
- 4-Way/3-Position DO3 Solenoid Valve
- 7/16-20 SAE O-Ring Outlet
- Horizontal Mounting Standard
- Vertical Mounting (Motor Up) Optional

### Schematic



### How to Order Your M-4253 Mini System

Comprehensive information may be found on the page referenced below each selection category.

Pump	Motor	Reservoir	Mounting Position	Accessories
Ref. Page 9	Ref. Page 10	Ref. Page 16		Ref. Page 20