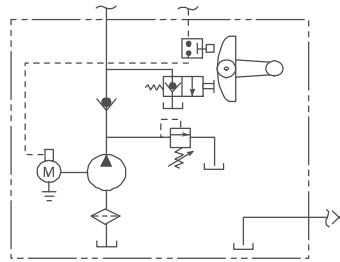


3.7 Model M-3313 (Formerly M-313)

Description

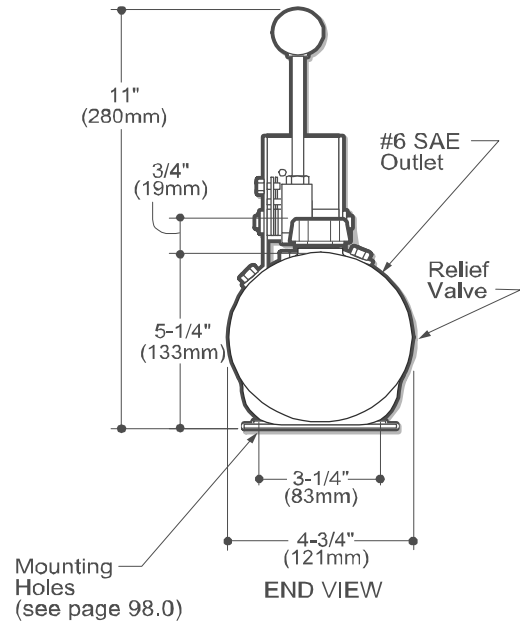
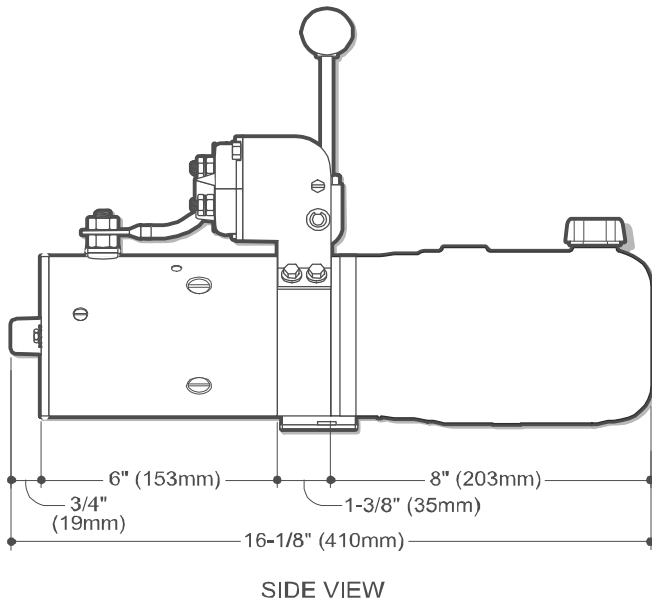
- Pump / Motor / Reservoir / Valve
- Manually Operated 2-Way/2-Position Normally Closed Valve With Motor Start Switch. Valve Handle Travel Is In Line With Motor
- Check Valve
- Externally Adjustable Relief Valve
- #6 SAE Outlet
- Horizontal Mounting Standard

Schematic



Popular Options

- Metered Lowering Valve Housing For Fine Control of Lowering Speed
- .250 Inch NPT Outlet
- Vertical Mounting / Motor Up



Optional Eye-Bolt



How to Order Your M-3313

Comprehensive information may be found on the page referenced below each selection category.

Shown as standard with:

| Pump | Motor | Voltage | Reservoir (Length) | Mounting Bracket | Mounting Position | Accessories |
|-----------|--------------|---------|--------------------|------------------|-------------------|--------------|
| | 08111 | 12 | 06102 | 04560 | Horizontal | |
| Ref. Page | Ref. Page 52 | | Ref. Page 76-86 | Ref. Page 91 | | Ref. Page 92 |