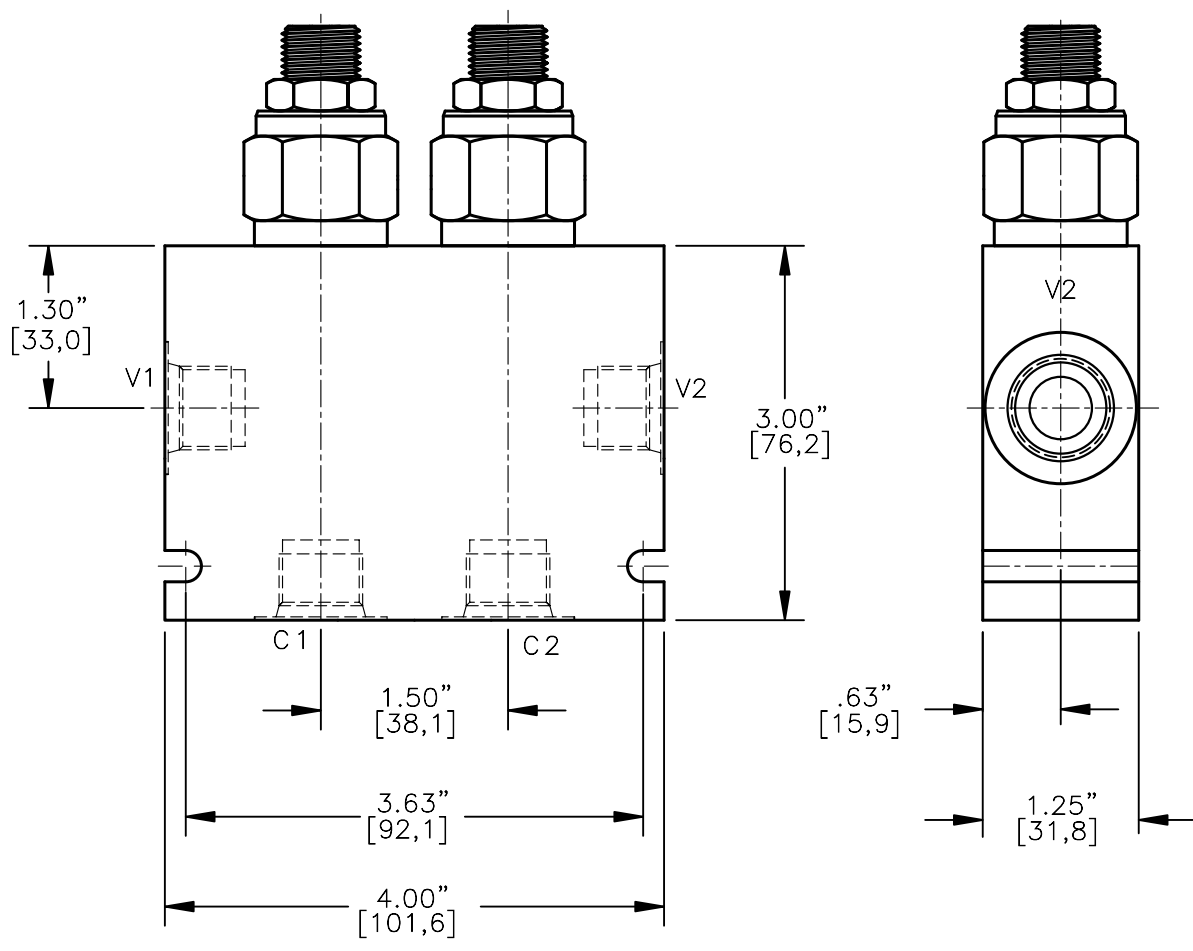
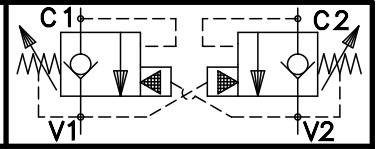


DUAL COUNTERBALANCE VALVE POPPET TYPE,
FREE REVERSE FLOW WITH CROSS-LINE PILOTS.

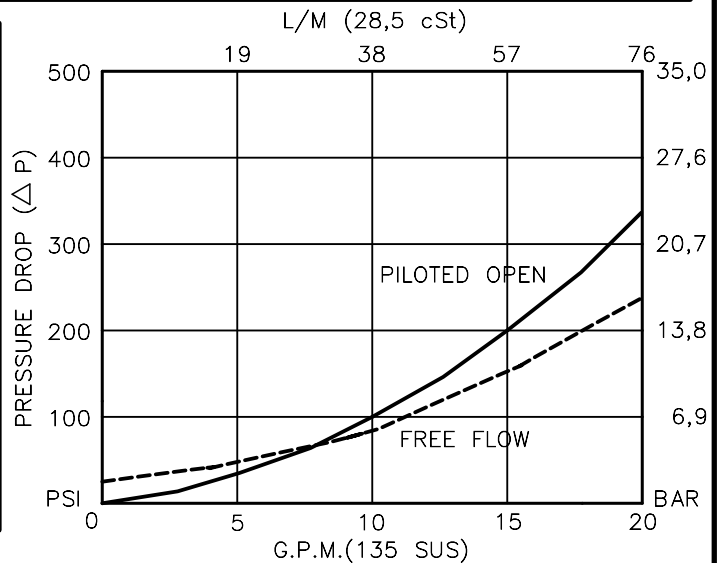


DCBA-10-X-X-X-XX

- BASIC**
- SIZE**
10 = 7/8"-14 UNF
- SEALS**
N = BUNA "N"
V = VITON
- ADJUSTMENT**
S = ADJUSTING SCREW
C = CAPPED
T = TAMPERPROOF

- PRESSURE RANGE**
15 = 100 TO 1500 PSI
30 = 300 TO 3000 PSI
50 = 500 TO 5000 PSI
- PORTS**
04BX = G 1/2" BSPF
08TX = SAE - #8
10TX = SAE - #10
- "A" - ALUM. HOUSING
"S" - STEEL HOUSING

FOR ADJUSTMENT CONTROL
OPTIONS SEE PAGE 0-050.0



DUAL COUNTERBALANCE VALVE POPPET TYPE, FREE REVERSE FLOW WITH CROSS-LINE PILOTS.

DESCRIPTION

This unit consists of two CBPA cartridges in an inline housing. The cartridges are direct acting, screw in cartridge style, poppet type, adjustable, pilot assisted, hydraulic counterbalance valves.

OPERATIONS

This valve controls moving load and preventing it from running ahead of the pump, locking the load in any position, it also provides static overload and thermal expansion protection.

This valve is a MODULATING DEVICE that allows free flow from port V1 to port C1 and V2 to C2 then blocks reverse flow until a pilot pressure INVERSELY PROPORTIONAL to the load pressure is sensed at pilot ports which are connected to ports V1 and V2 therefore modulating flow from port C1 or port C2.

FEATURES AND BENEFITS

Leakproof screw adjustment.

Adjustment screw can not be backed out of the valve.

Overset protection – spring can not go solid.

Hardened precision fitted poppet & cage provides reliable, long life.

A unibody cage construction and with no dynamic seals on all moving parts provides very low hysteresis (1.5%) and reliable operation.

Minor internal leakage past the pilot piston purges the air from the pilot line thus improving stability.

All external carbon steel parts are plated for longer life against the elements.

Valve is available with screw, tamperproof, capped and handknob adjustments.

All cartridge valves are 100% functionally tested.

Industry common cavity.

**DUAL COUNTERBALANCE VALVE POPPET
TYPE, FREE REVERSE FLOW WITH CROSS-LINE PILOTS.****SPECIFICATIONS**

OPERATING PRESSURE: 5,000 PSI [350 Bar]

PROOF PRESSURE: 10,000 PSI [700 Bar]

FLOW: 20.0 GPM [76 L/M] nominal. See performance chart.

PILOT RATIO: 4 to 1

INTERNAL LEAKAGE: 5 drops/min @ 90% of crack pressure.^{^J}

DEFINITION OF CRACK: evident at 0.06 GPM [0.25 LPM]

VALVE HOUSINGS: 2500 PSI [175 Bar] = Aluminum – Anodized.
5000 PSI [350 Bar] = Steel – Unplated.

OPERATING TEMPERATURE: -40° to +250° F. [-40° to +120° C.]

OPERATING MEDIA: All general purpose hydraulic fluids such as
MIL-H-5606, SAE-#10, SAE-#20, etc.

INSTALLATION: No restriction.

FILTRATION: 25 microns or better.

SEAL KIT NUMBER: SKN-1028 for buna "N".
SKV-1028 for viton.

WEIGHT: 2.65 lbs [1.21 kg] Aluminum. 5.25 lbs [2,38] Steel.

VALVE CAVITY: #C1025, See Page 0-022.0.

info.el@bucherhydraulics.com

www.bucherhydraulics.com/commoncavity

© 2015 by Bucher Hydraulics, Inc., 2545 Northwest Parkway, Elgin, Illinois 60124, USA

All rights reserved.

The technical information in this catalog, may contain calculated figures (for reference only) and not actual performance data for this product.

Data is provided for the purpose of product description only, and must not be construed as warranted characteristics in the legal sense.

The information does not relieve users from the duty of conducting their own evaluations and tests. Because the products are subject to continual improvement, we reserve the right to amend the product specifications contained in this catalogue.